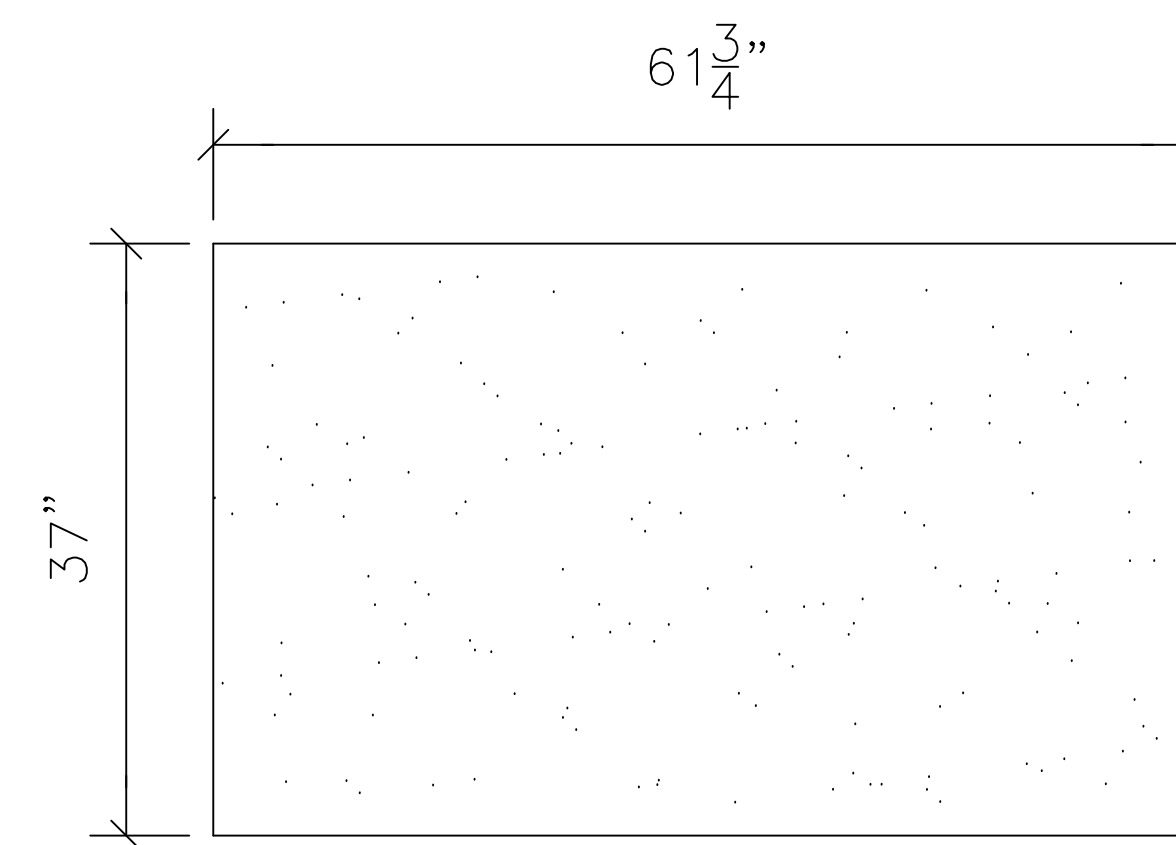
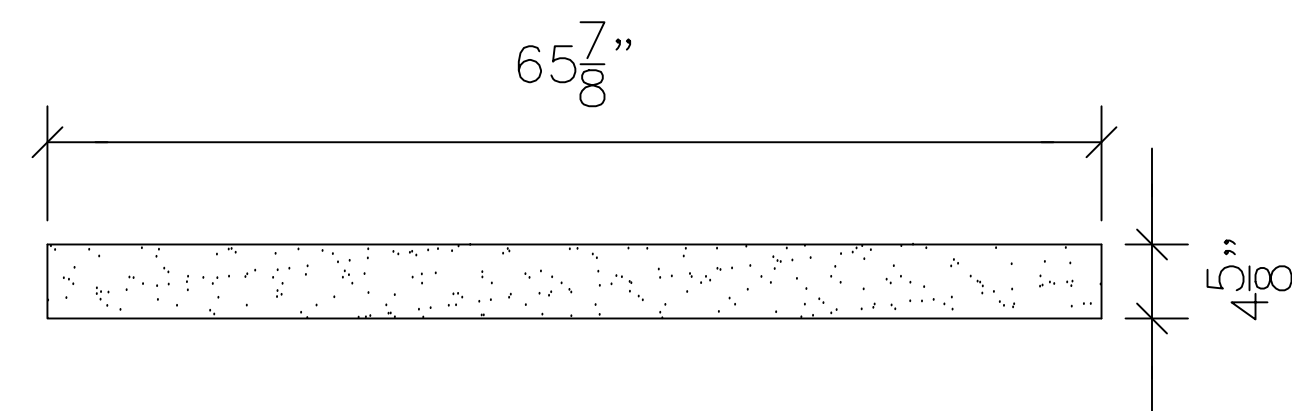


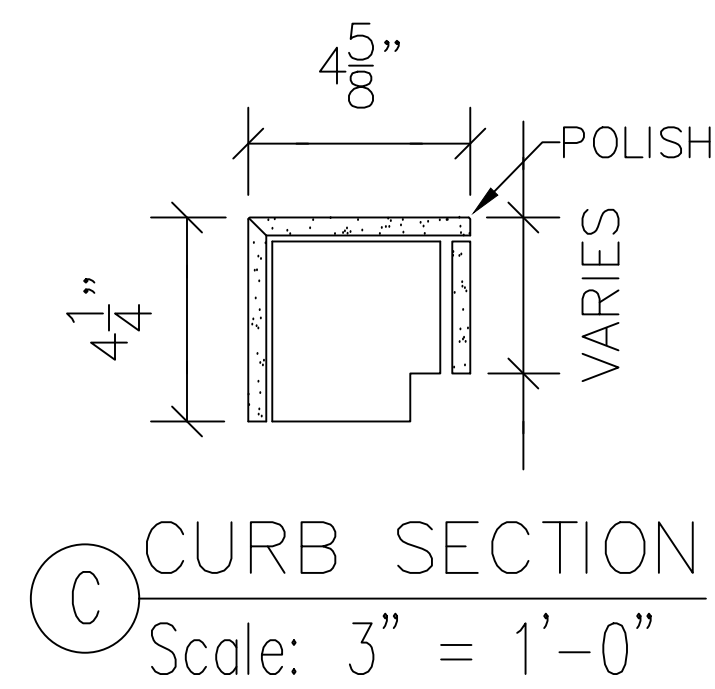
SHOWER PAN PLAN VIEW
Scale: 1-1/2" = 1'-0"



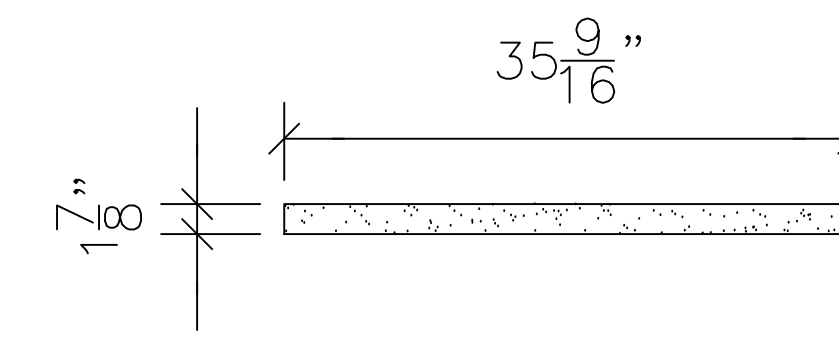
TERRAZZO DIMENSIONS
Scale: 1" = 1'-0"



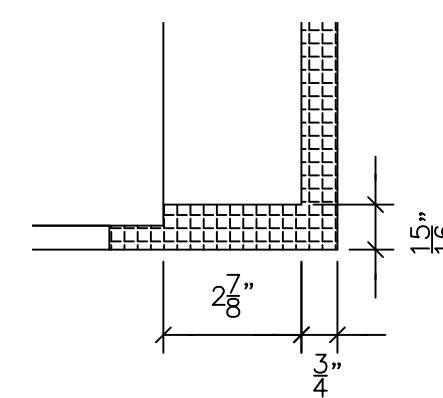
CURB PLAN VIEW
Scale: 1" = 1'-0"



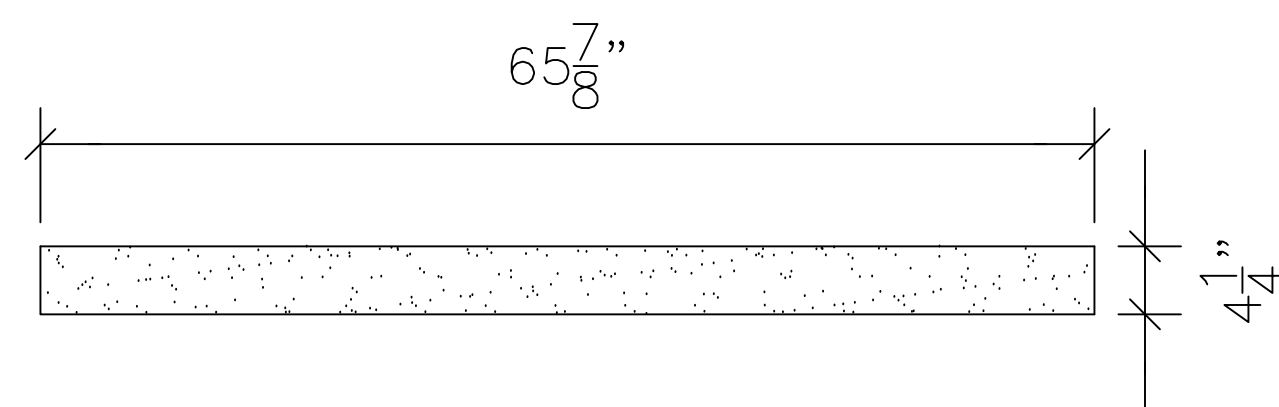
C CURB SECTION
Scale: 3" = 1'-0"



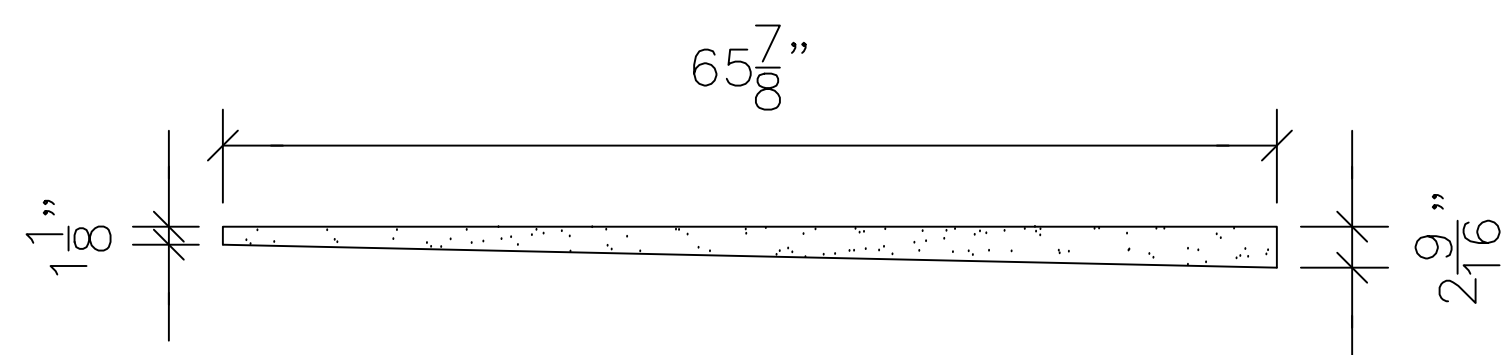
TILE-IN DRAIN PLAN
Scale: 1" = 1'-0"



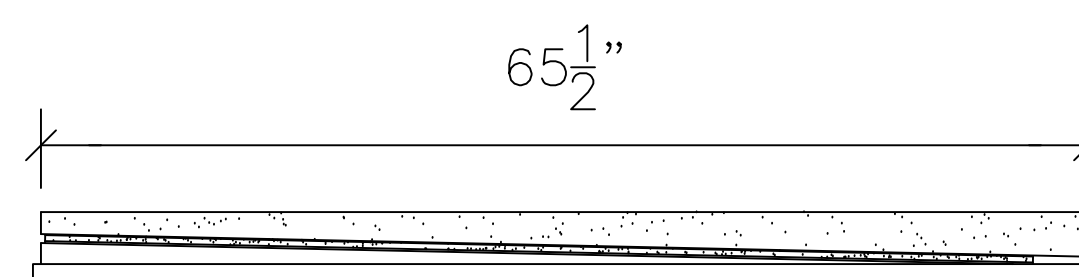
D DRAIN DETAIL
Scale: 3" = 1'-0"



A CURB OUTSIDE PIECE
Scale: 1" = 1'-0"



B CURB INSIDE PIECE
Scale: 1" = 1'-0"



SHOWER PAN SECTION
Scale: 1" = 1'-0"

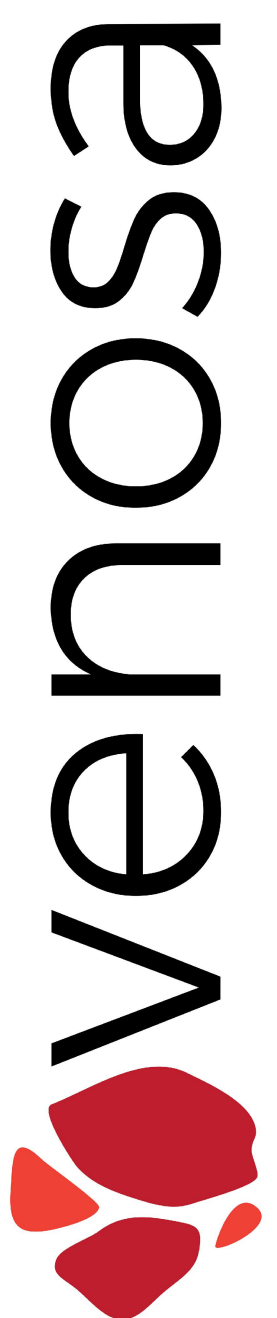
NOTES

ALL TERRAZZO PIECES TO FINISH AT 3/8" THICK

CURB CAN BE ON EITHER THE LEFT OR RIGHT SIDE OF THE SHOWER PAN

Approved By: _____
Printed NAME: _____
Signature: _____
Title: _____
Date: _____

Venososa Precast Terrazzo
4001 S. Brook St.
Louisville, KY 40214
(502) 907-6275
info@venosaprecast.com



DRAWN BY
DATE
REVISIONS
SHEET NO.