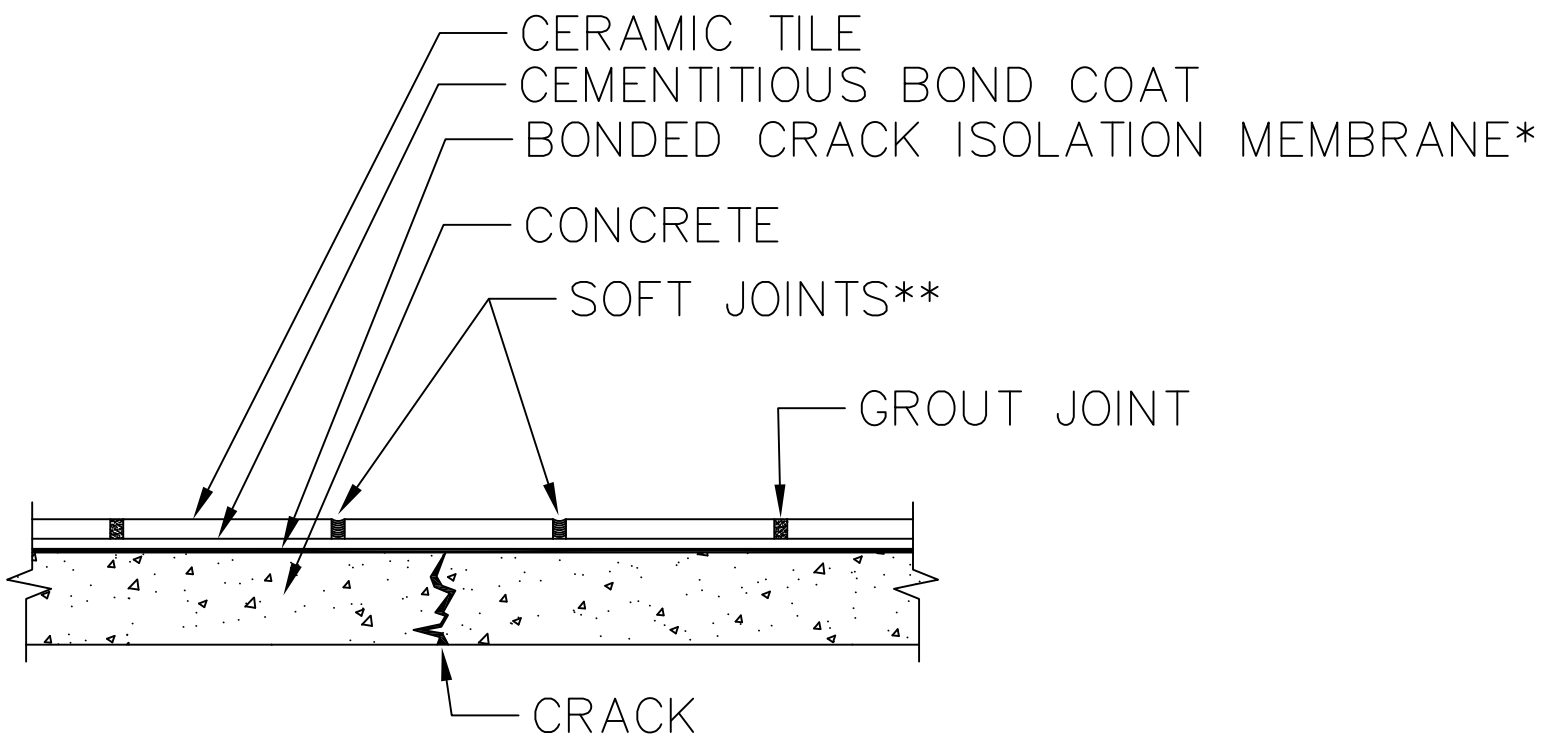


CONCRETE CRACK ISOLATION MEMBRANE



*CONSULT MANUFACTURER FOR
MEMBRANE WIDTH

**ONE OR TWO SOFT JOINTS MAY BE
REQUIRED (CONSULT MANUFACTURER)